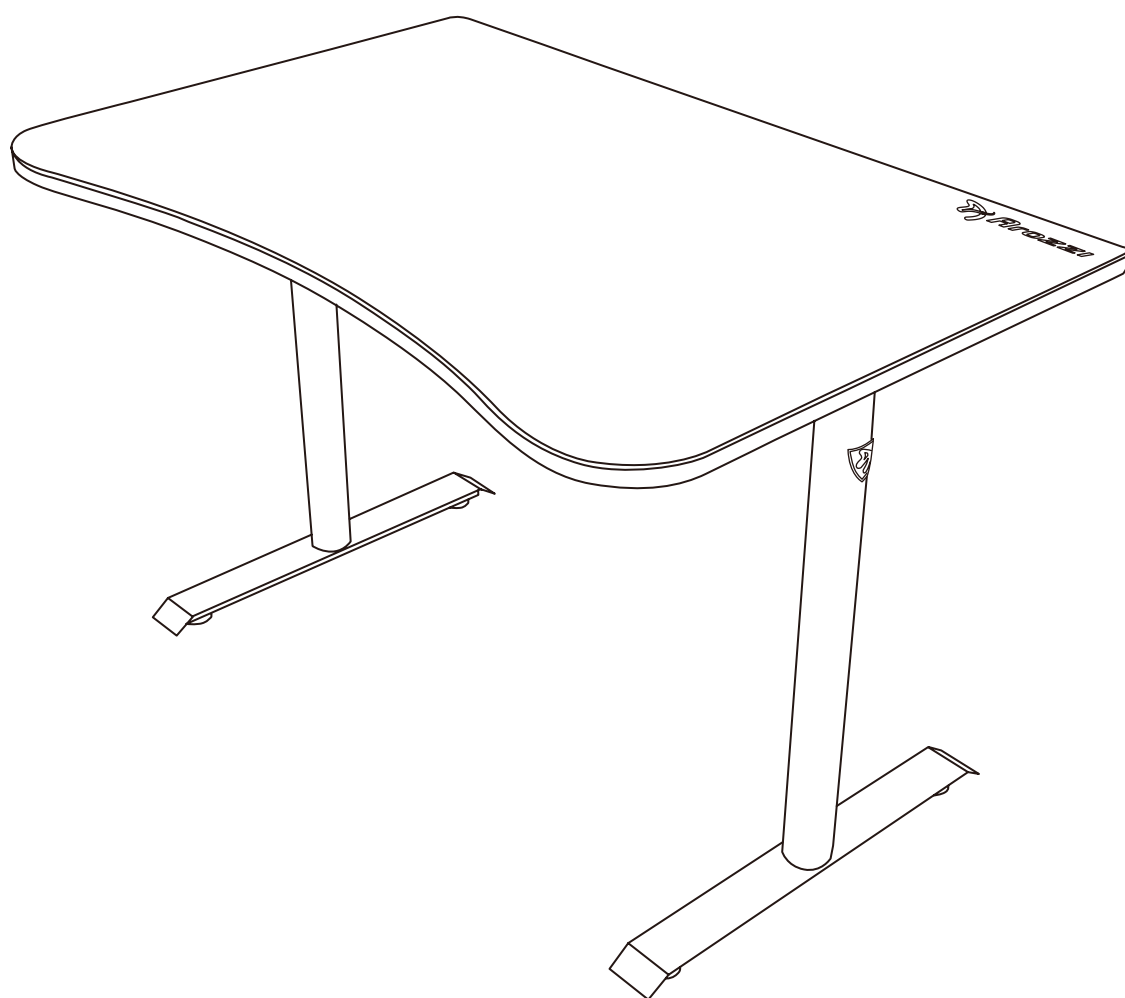
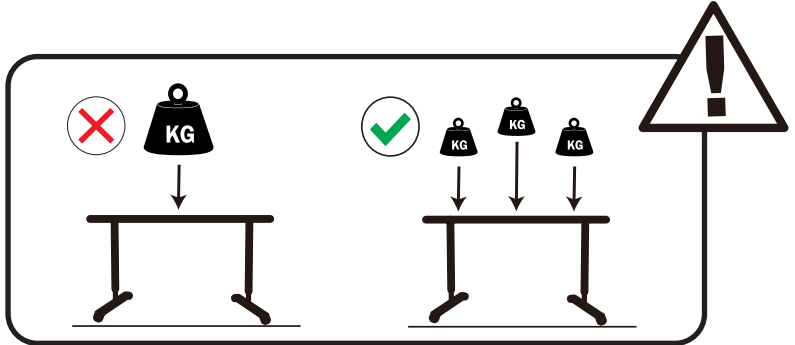
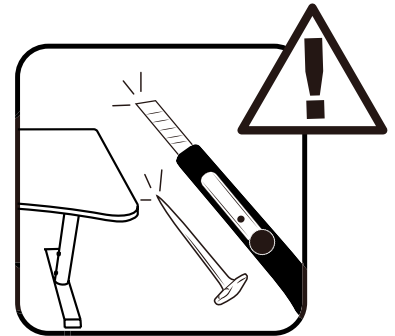


# ARENA SMALL



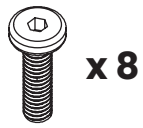


[youtube.com/@ArozziSupport](https://youtube.com/@ArozziSupport)



EU: [arozzi.se/support/](https://arozzi.se/support/)  
US: [arozzi.com/support/](https://arozzi.com/support/)  
Elsewhere: [arozzi.se/support/](https://arozzi.se/support/)

**A**



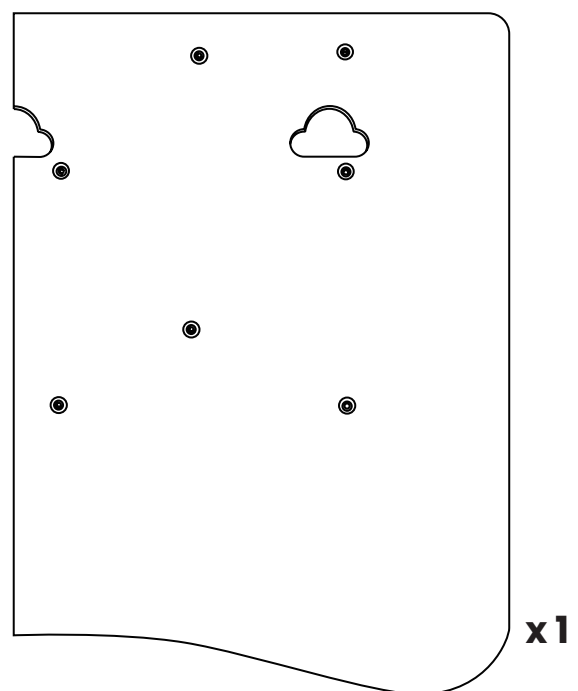
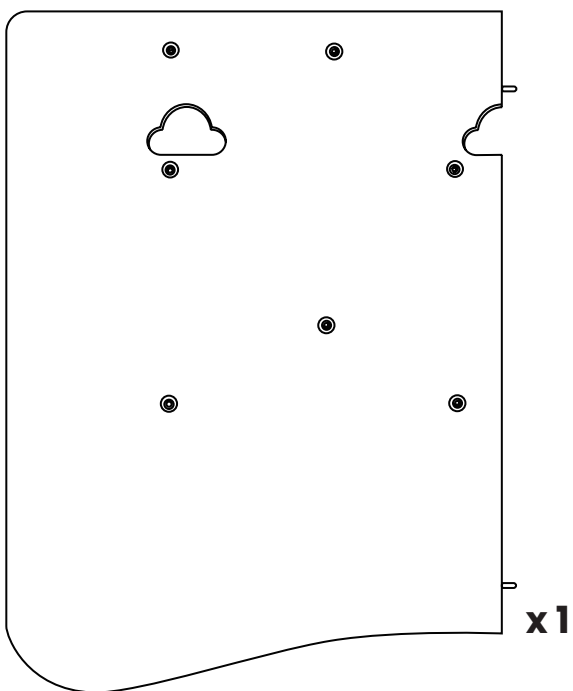
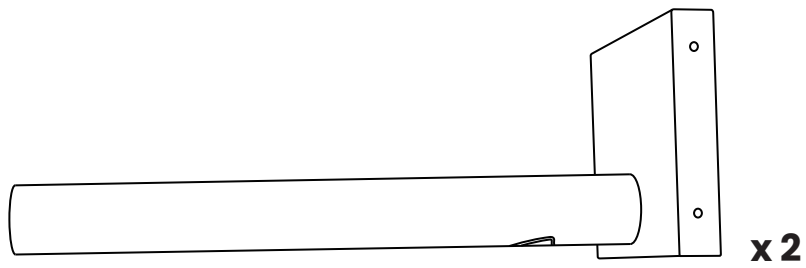
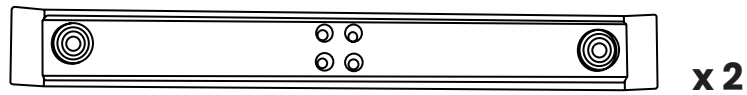
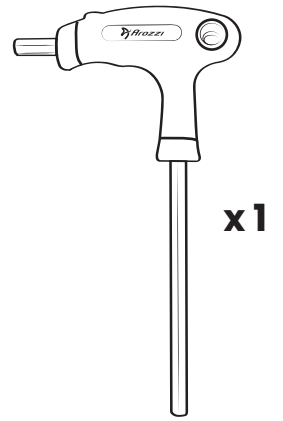
**B**



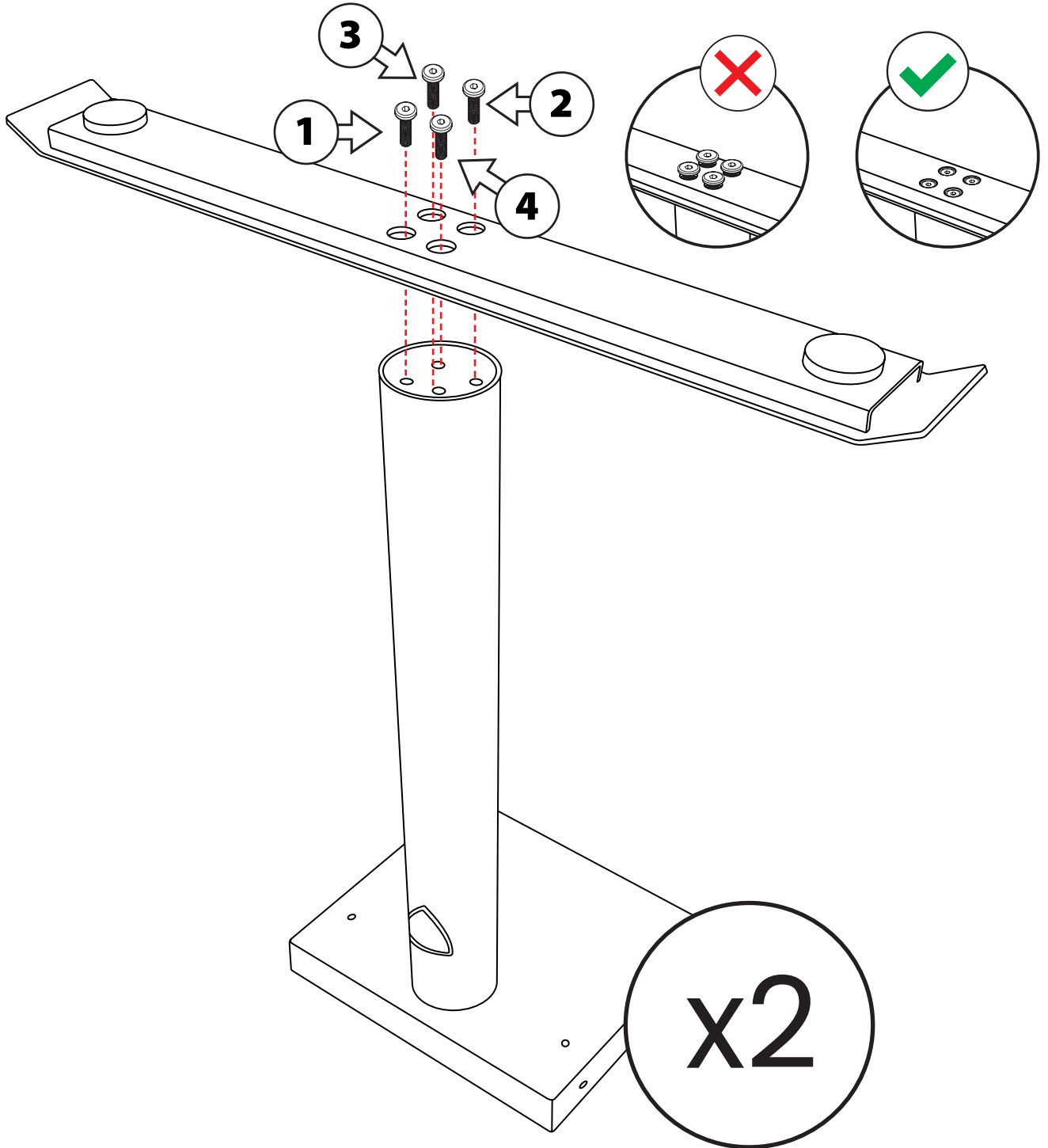
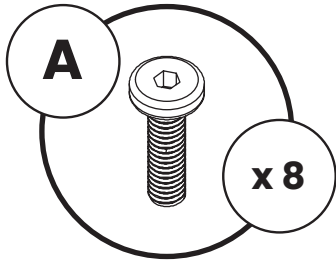
**C**



**D**

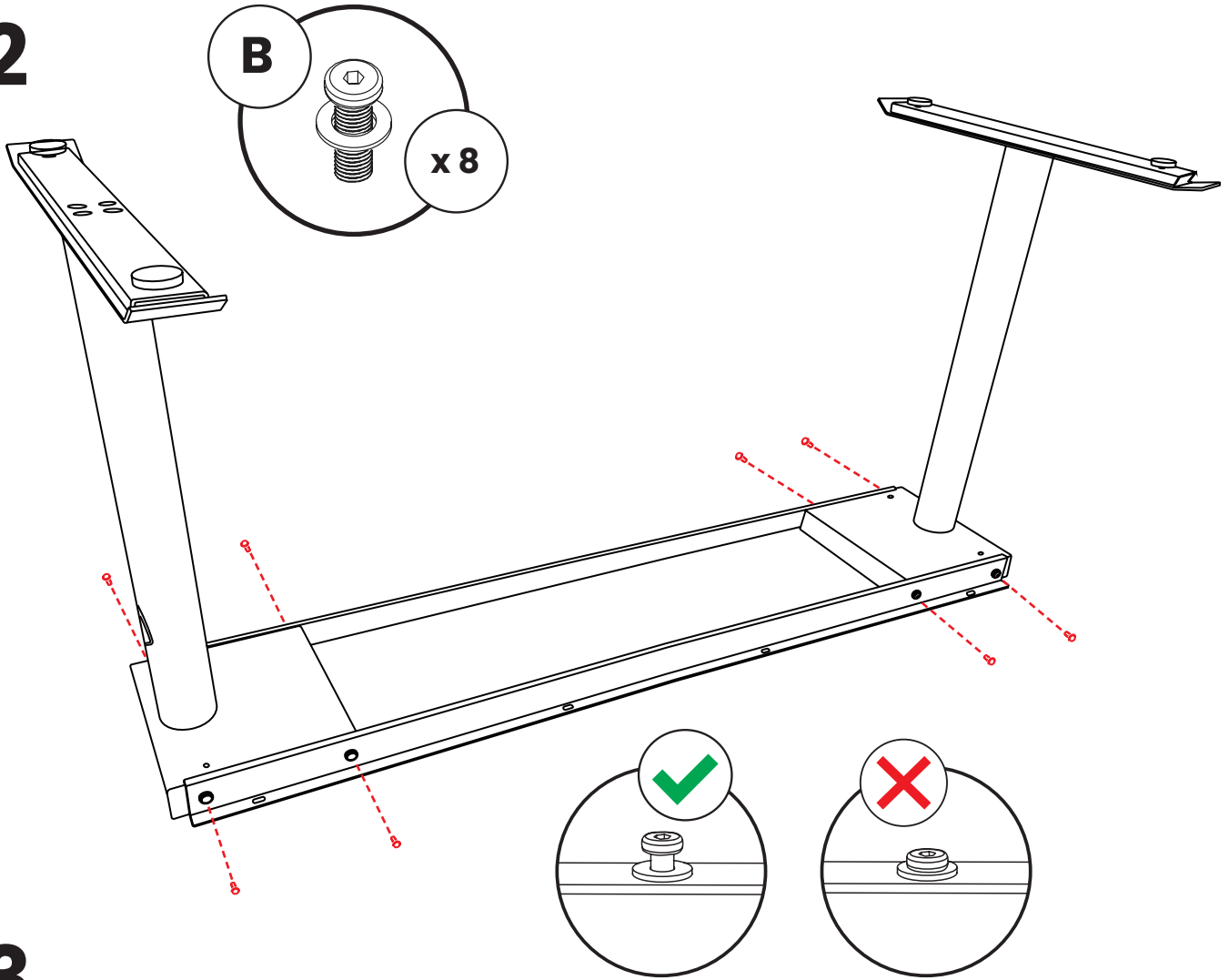


1

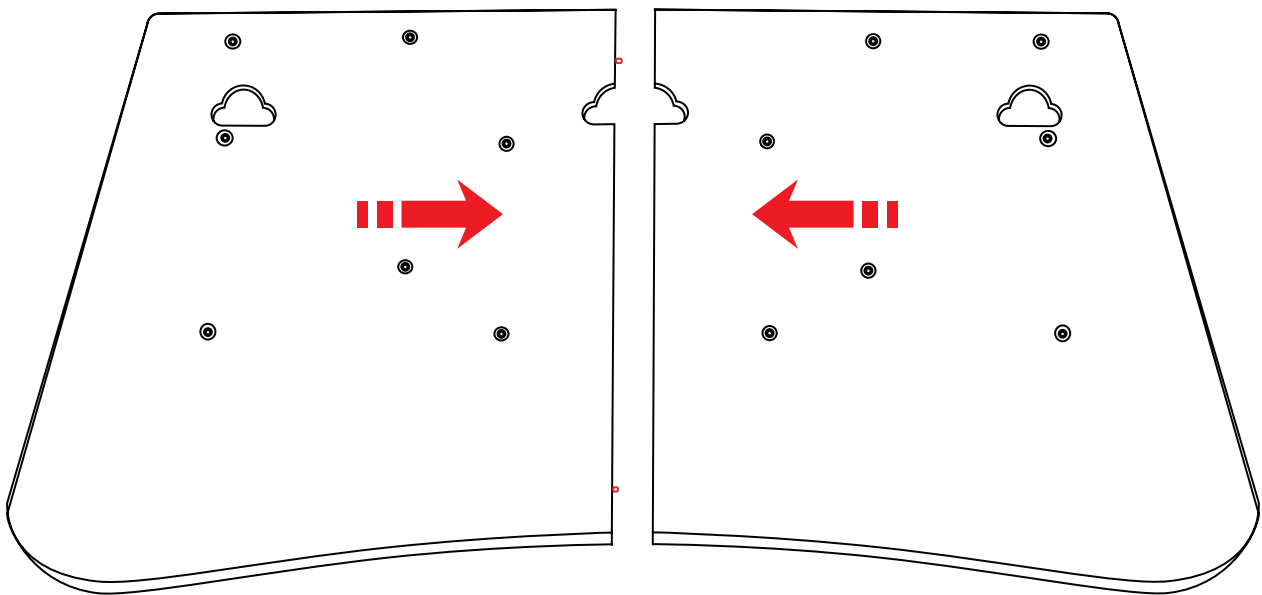


Repeat in order 1 to 4 until all screws are tight

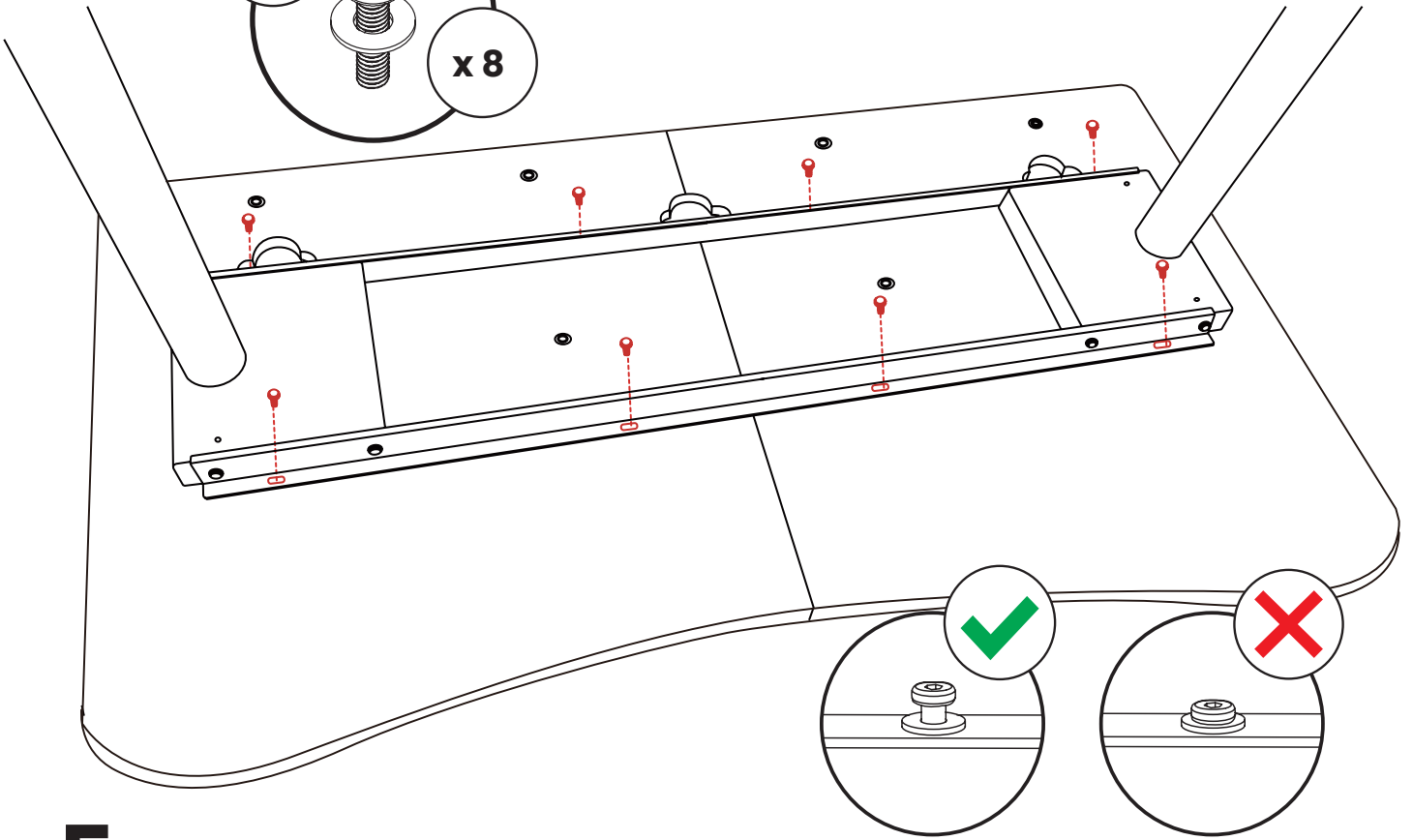
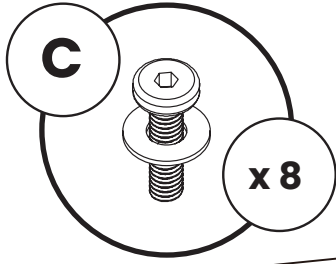
**2**



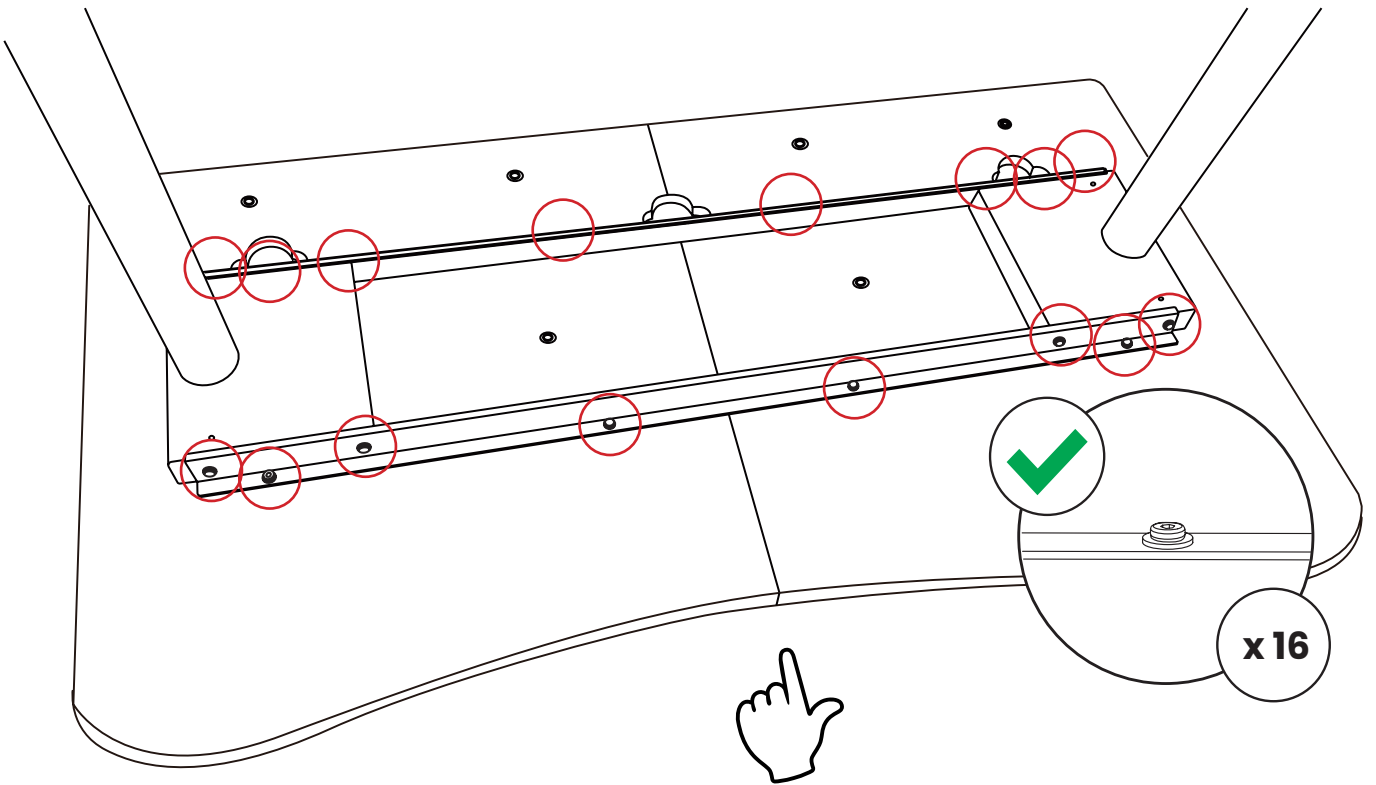
**3**



4

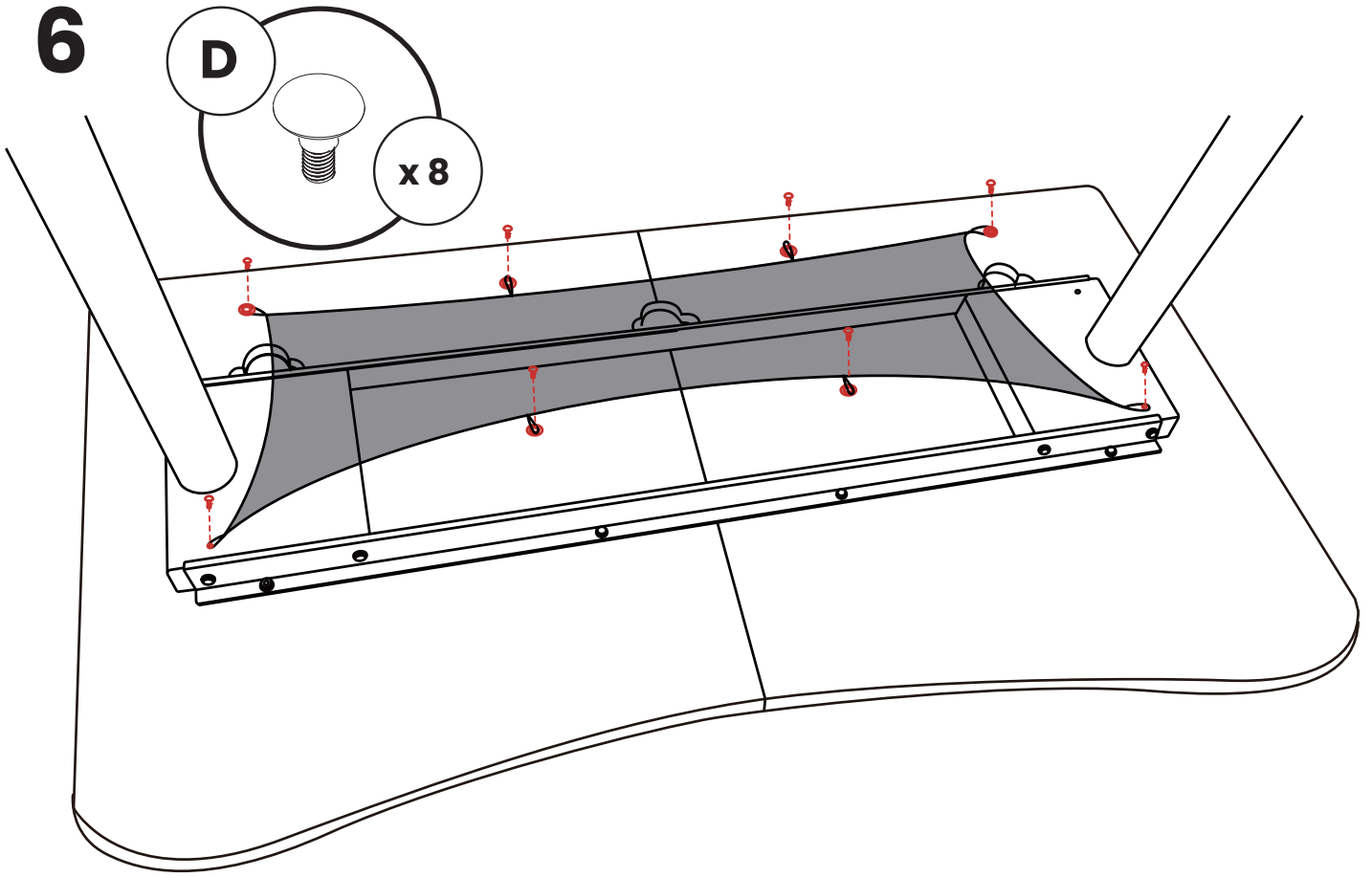


5

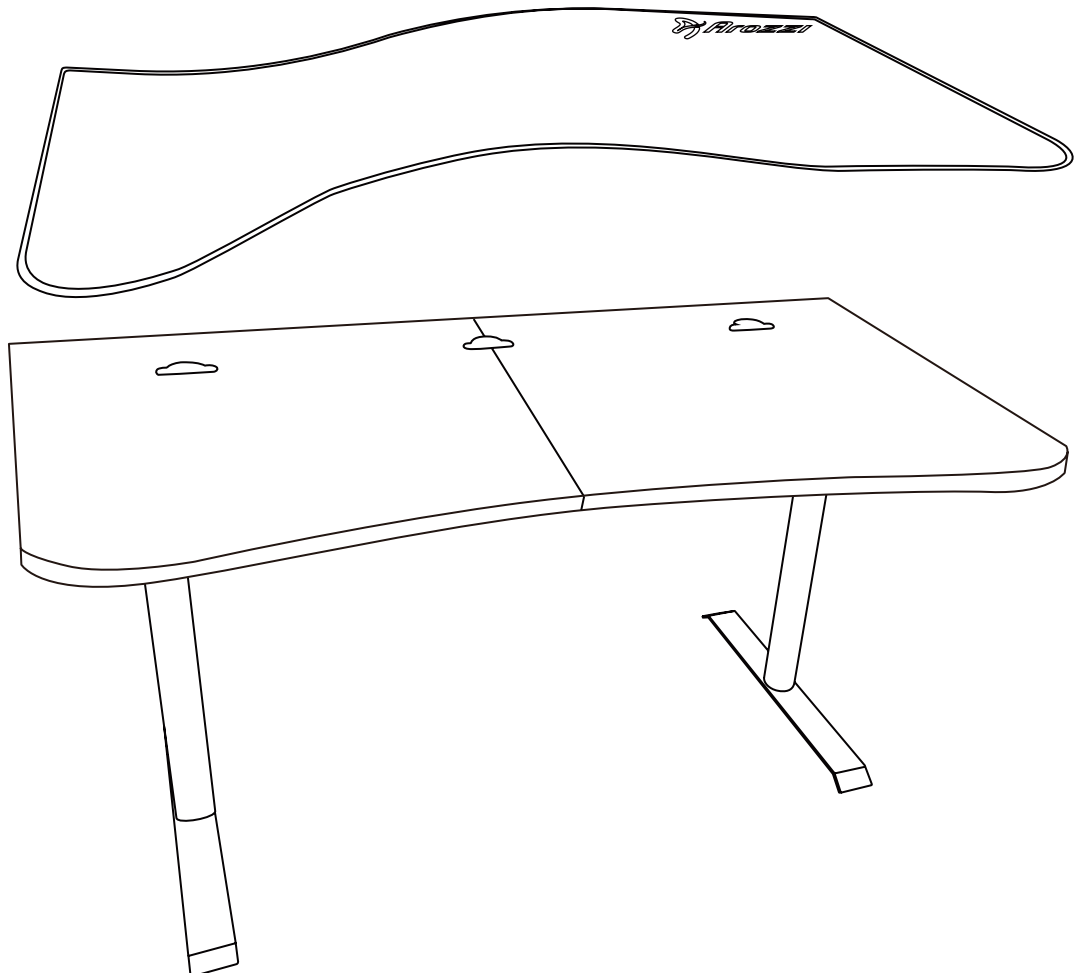


**! Before tightening the screws, make sure that the table top panels are flush against each other.**

6



7



8

