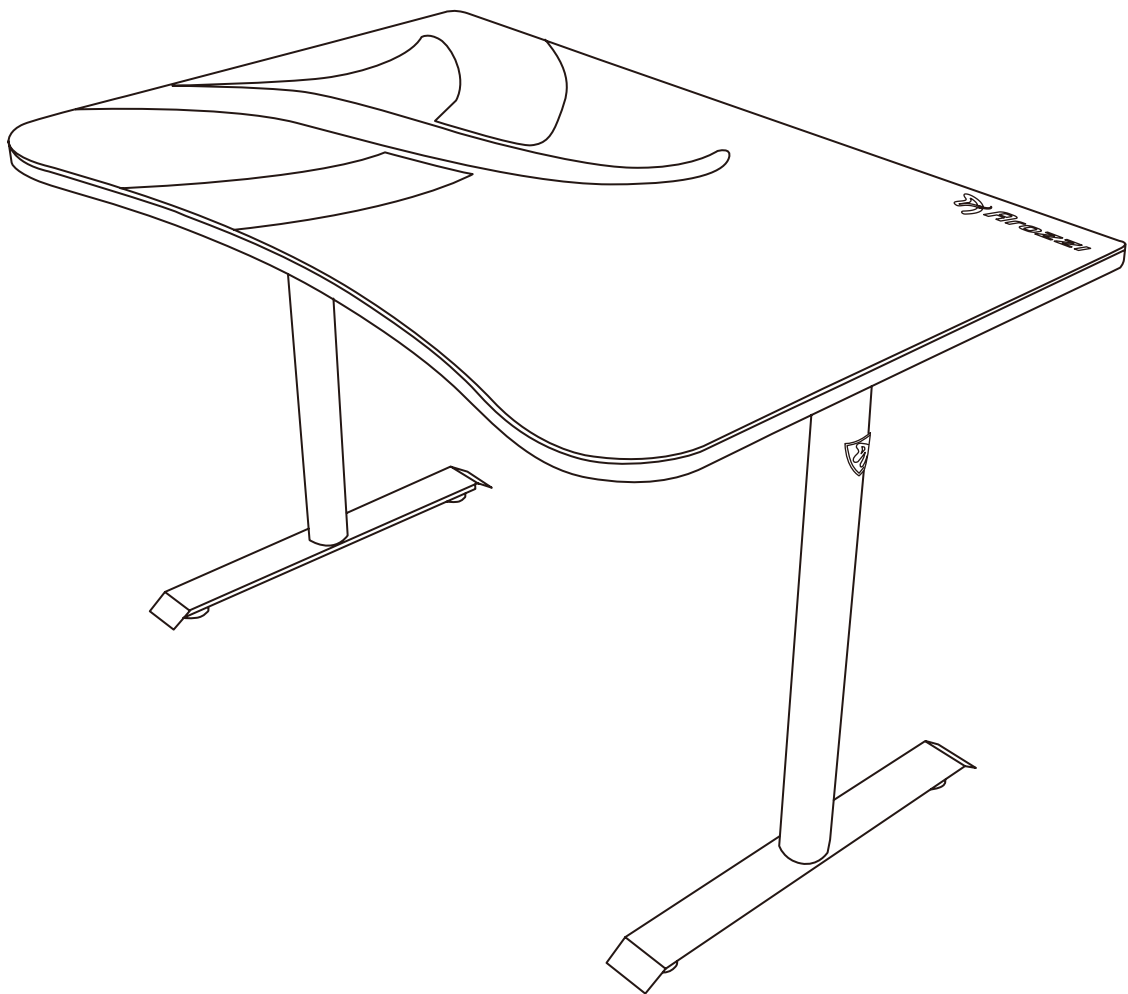
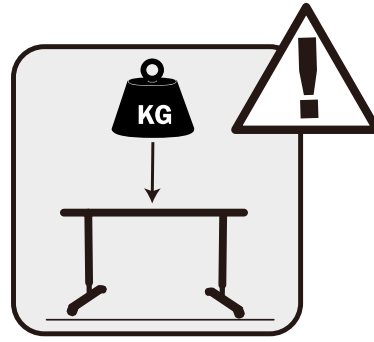
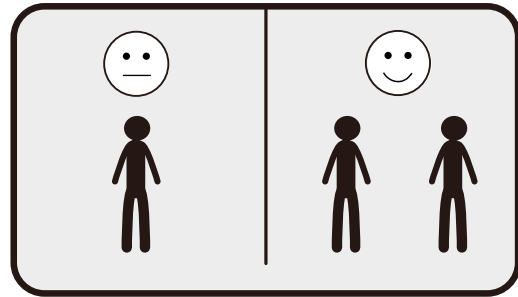
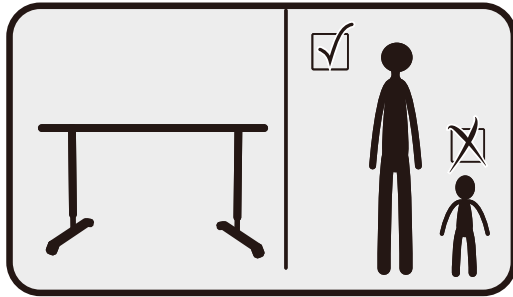
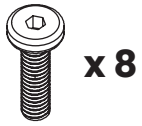


# ARENA FRATELLO





**A**



x8

**B**



x8

**C**

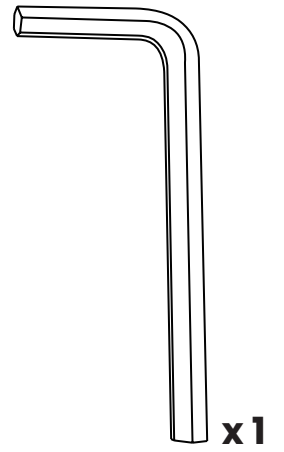


x8

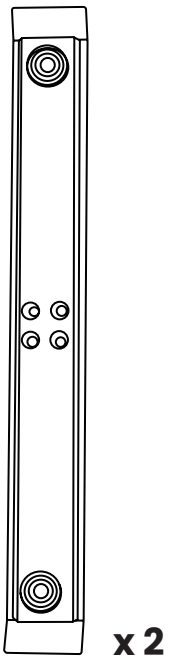
**D**



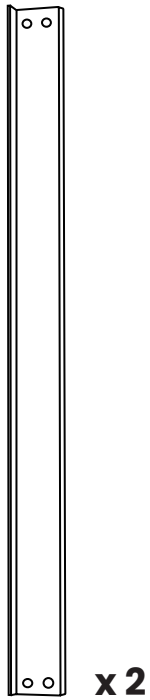
x8



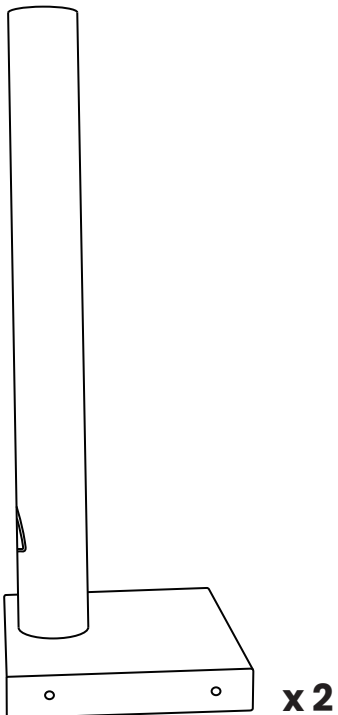
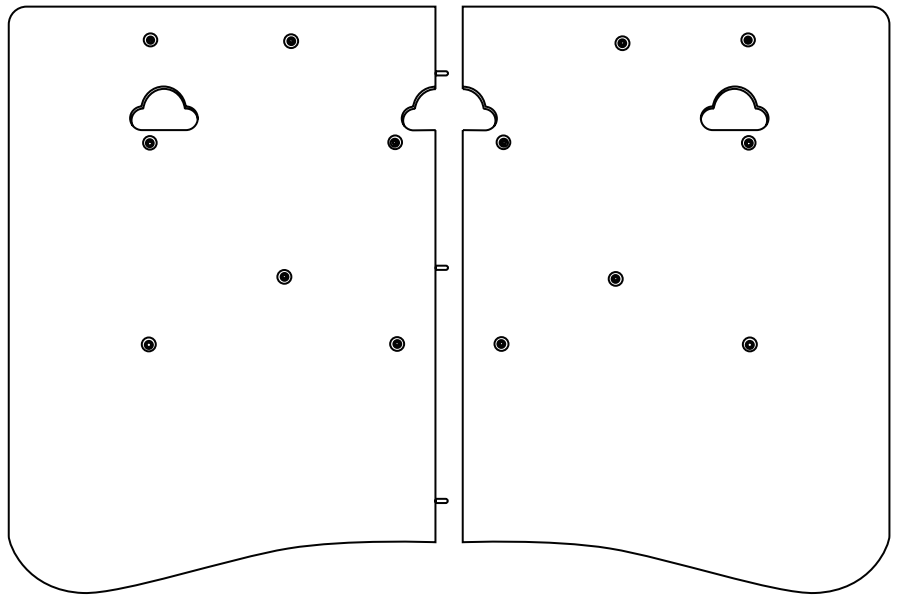
x1



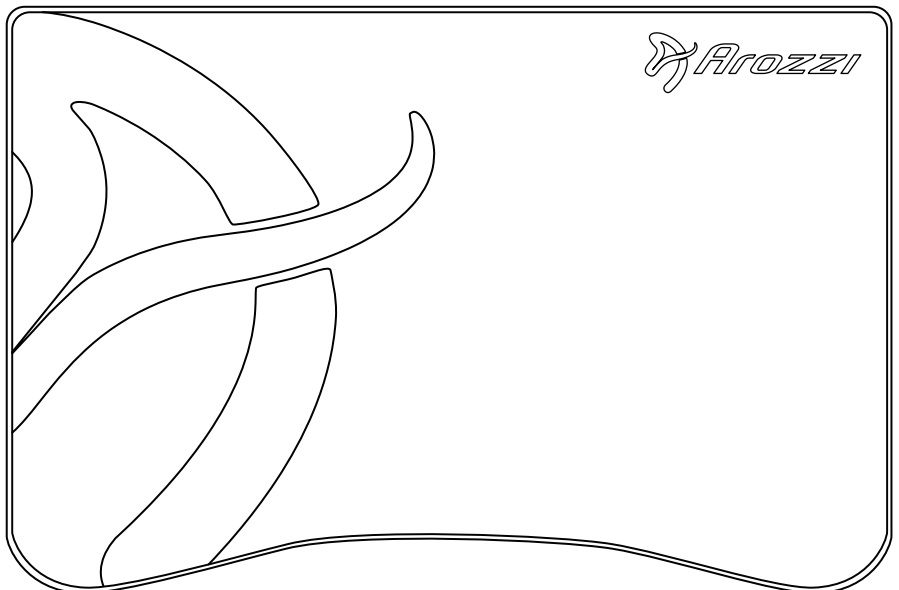
x2



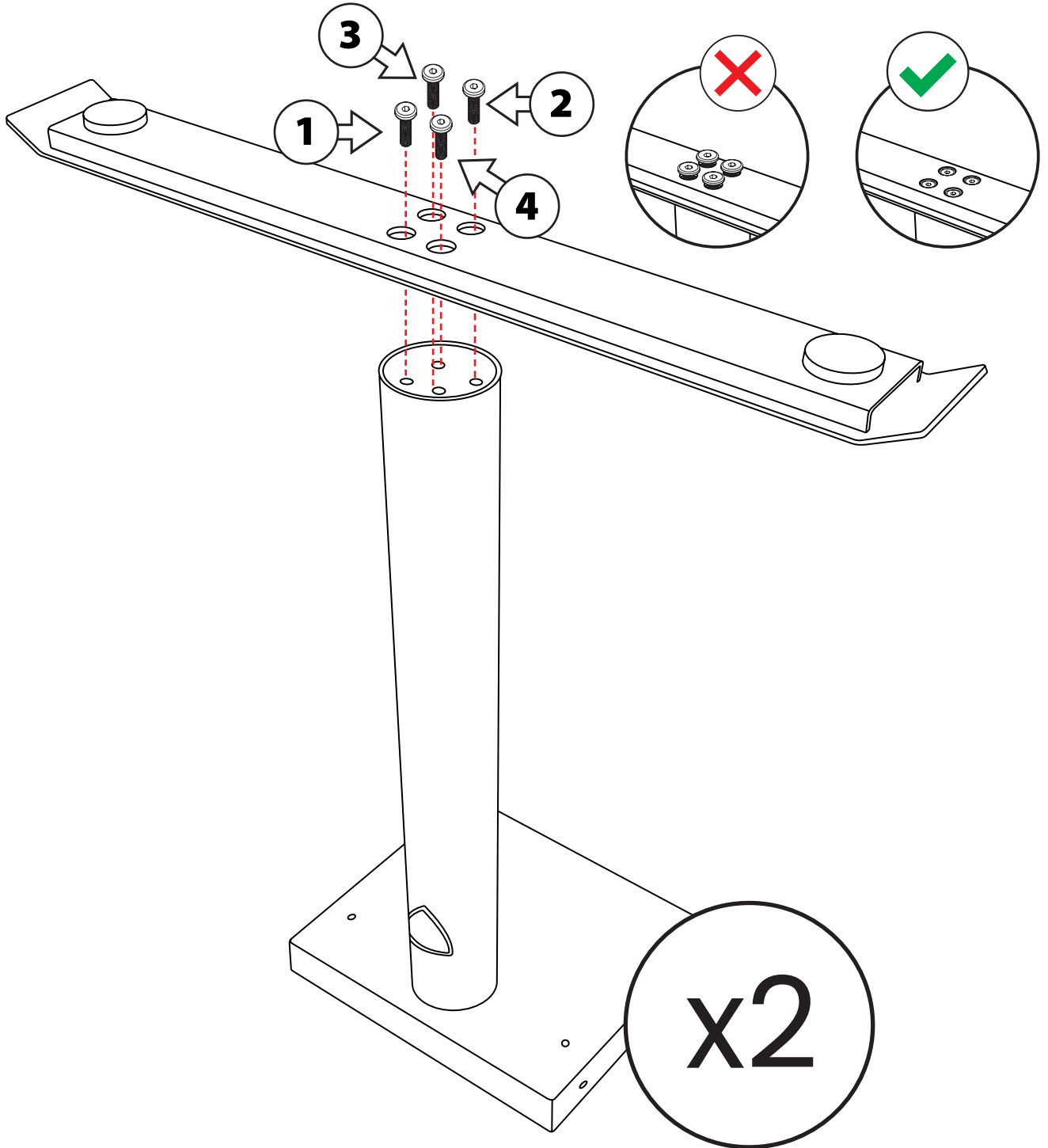
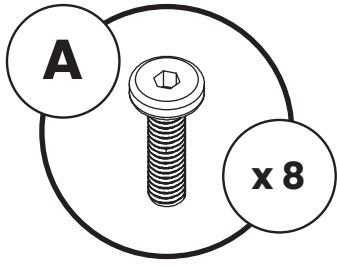
x2



x2

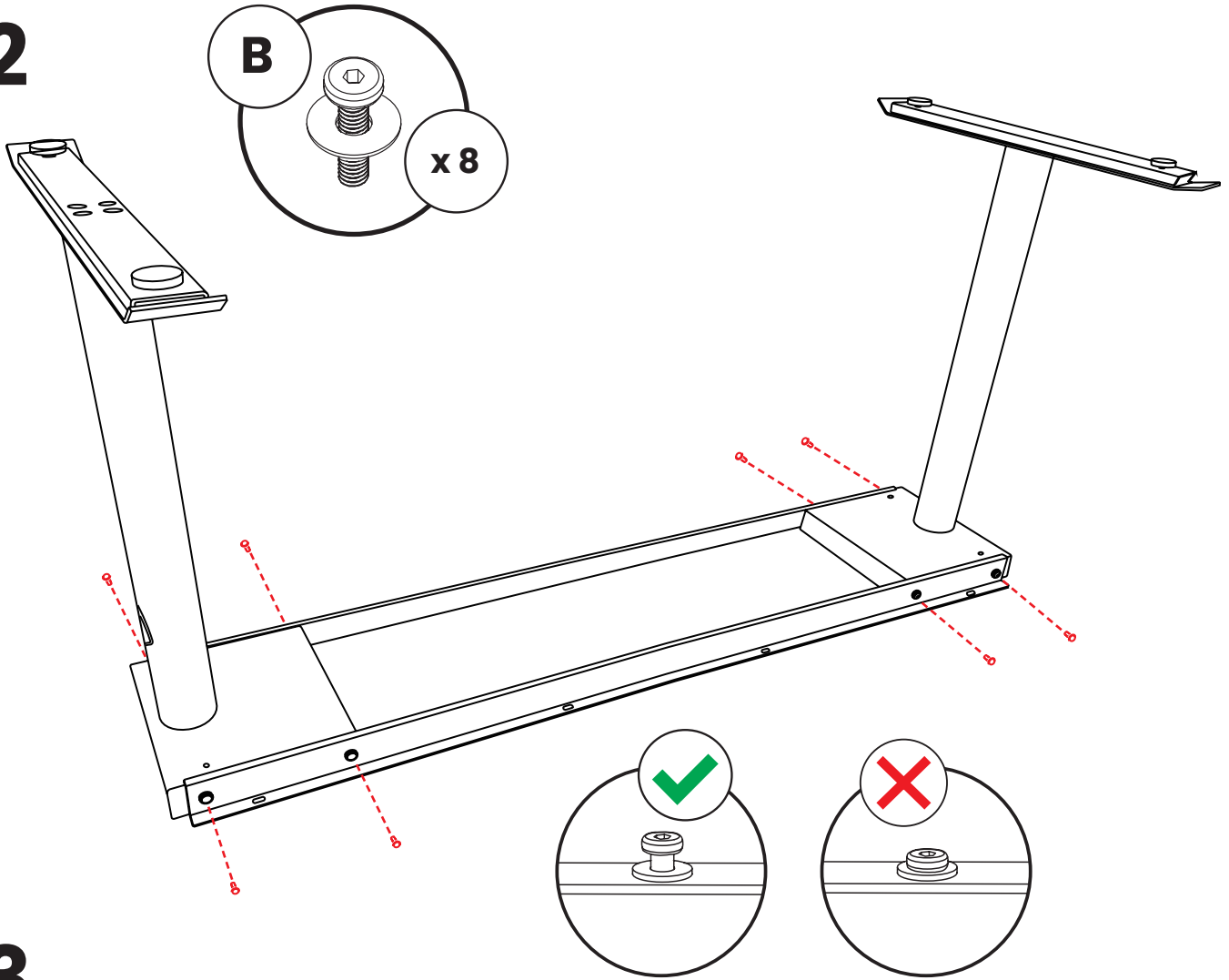


**1**

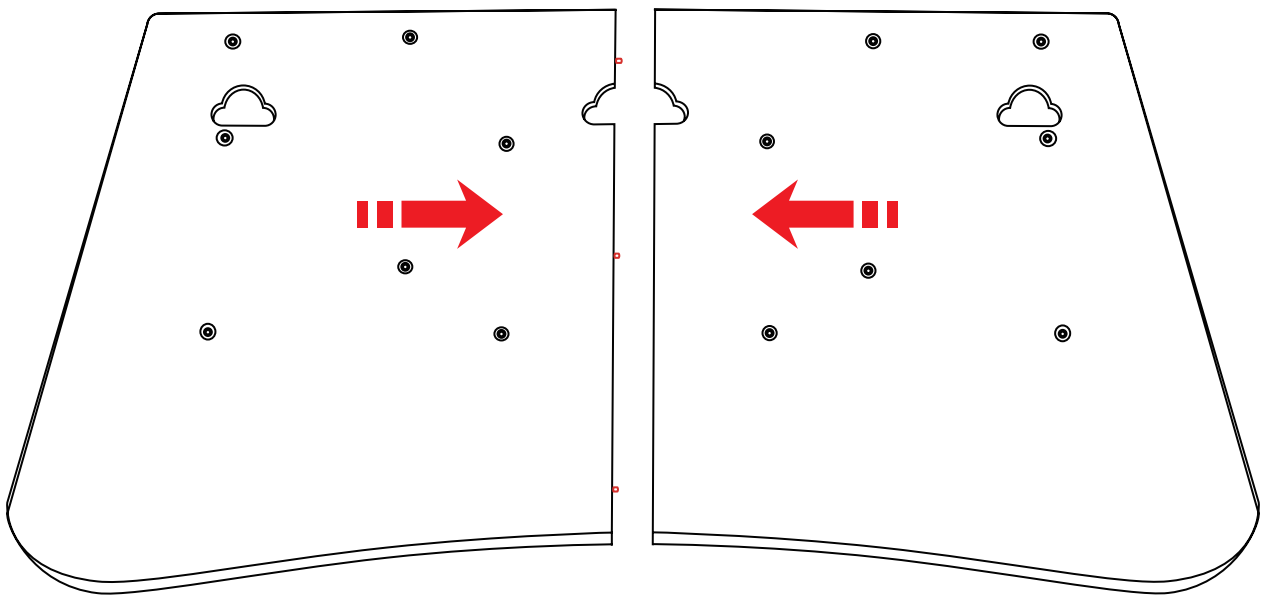


**Repeat in order 1 to 4 until all screws are tight**

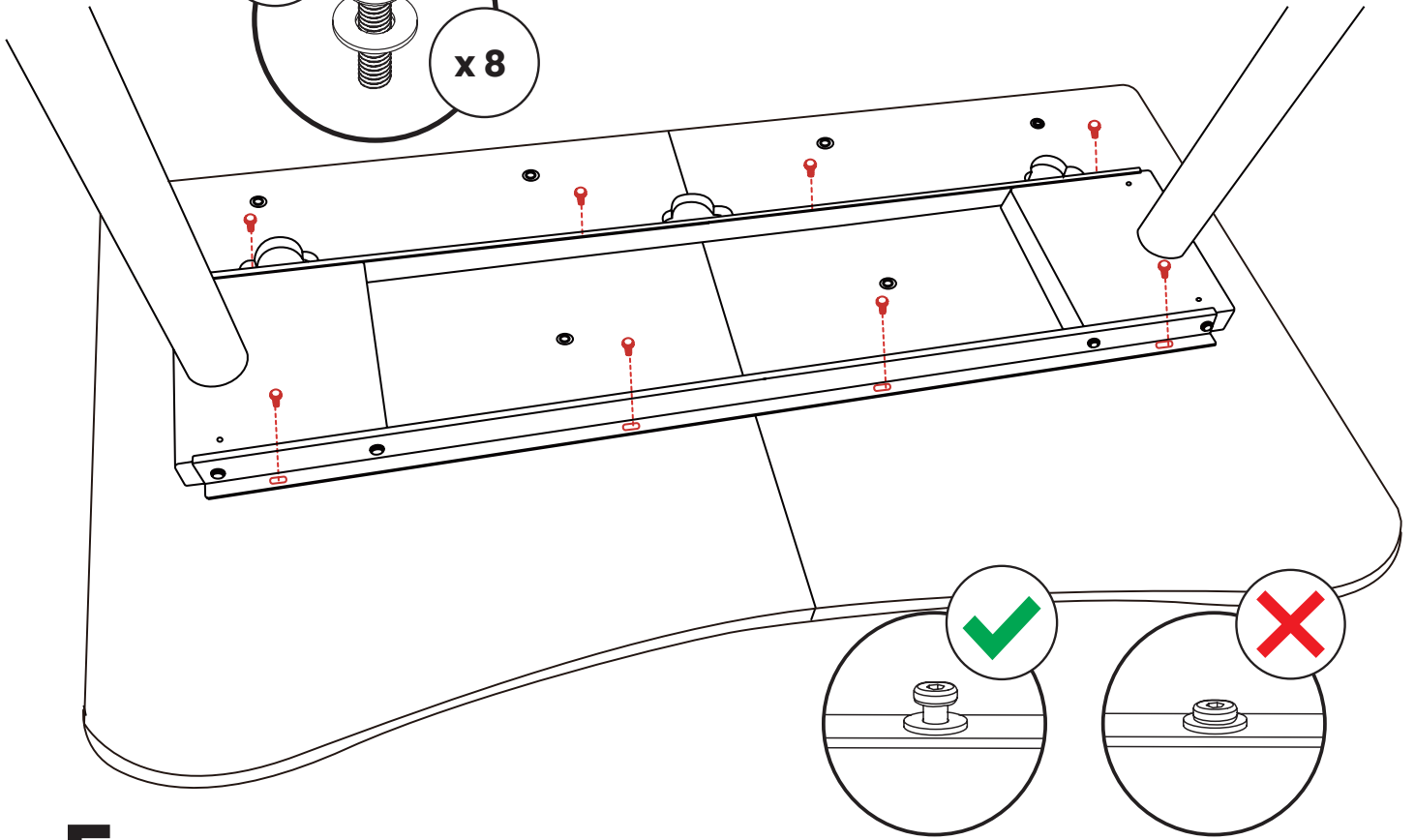
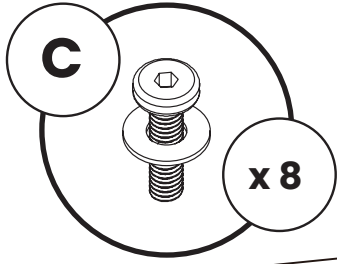
**2**



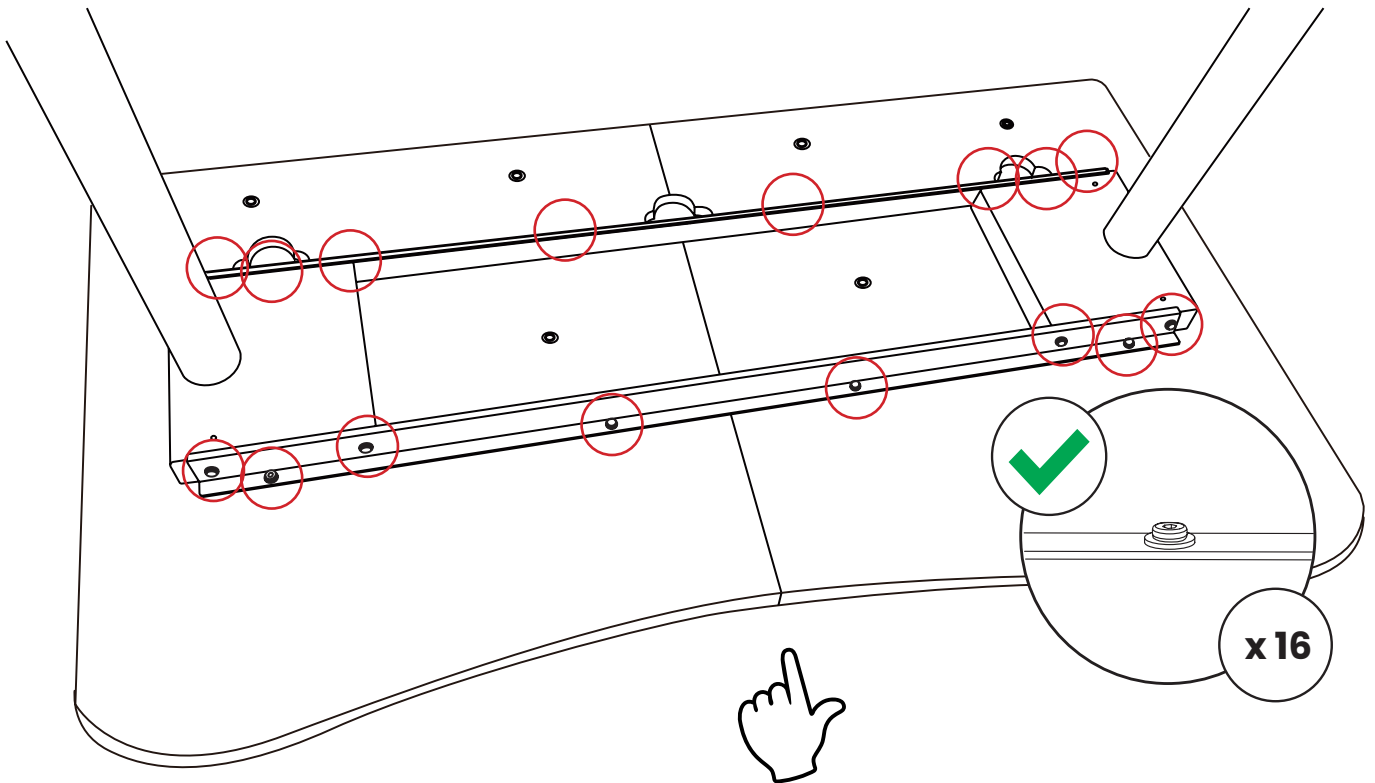
**3**



4

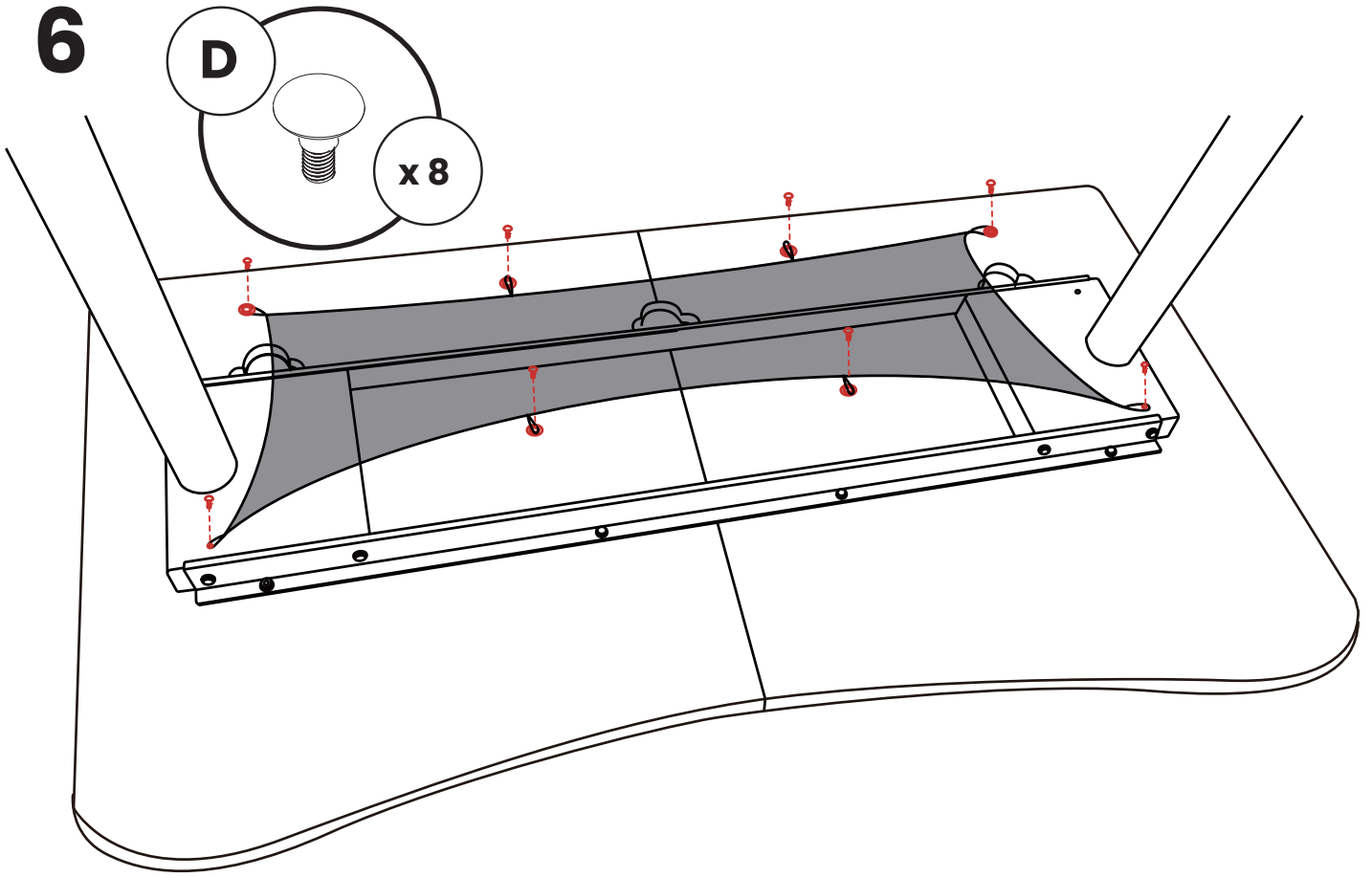


5

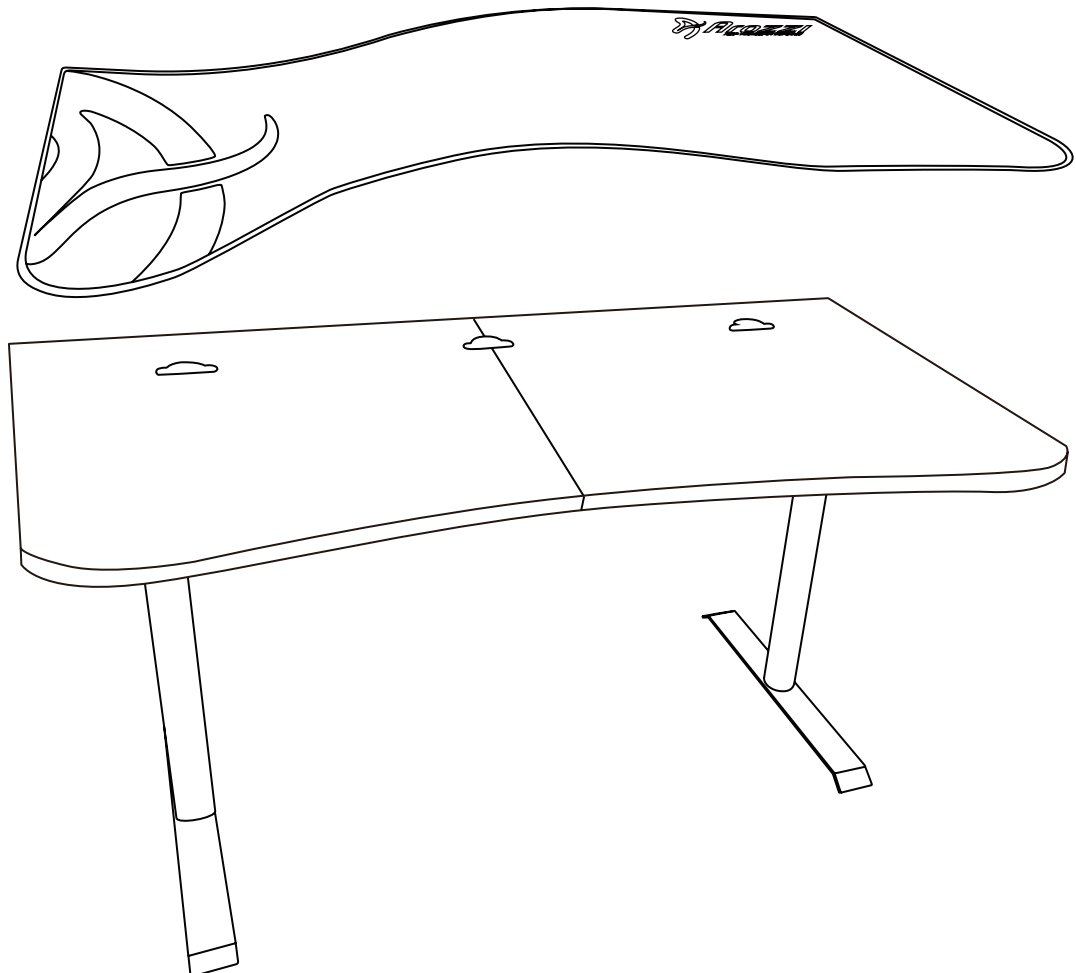


**! Before tightening the screws, make sure that the table top panels are flush against each other.**

6



7



8

